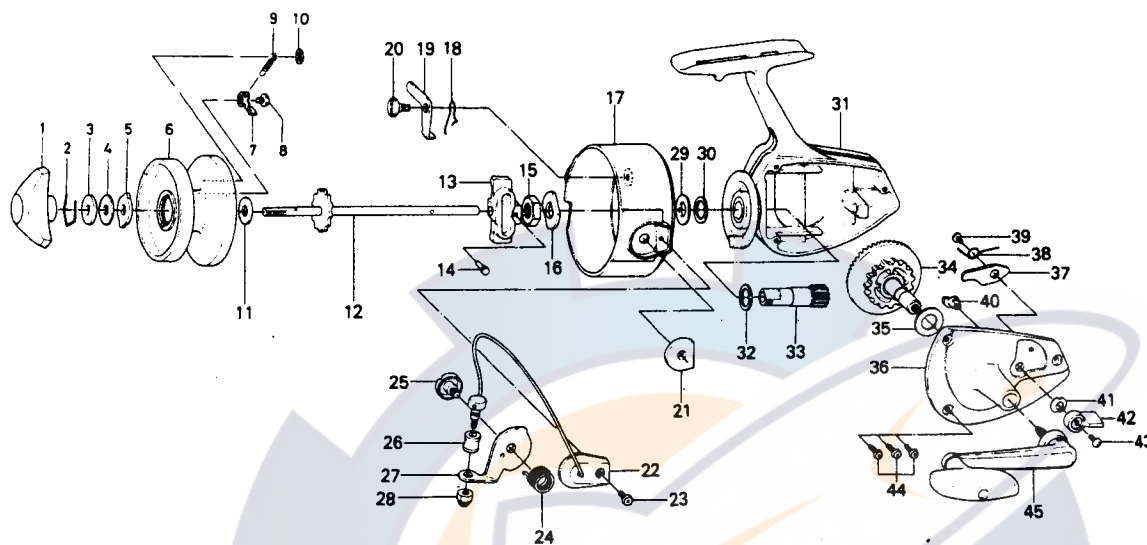


# SPINNING REEL 406A



**KEY NO. 2 ~ 10**  
**6-000-4351**

**SPOOL ASSEMBLY**

Key No.	Parts No.	Parts Name	Key No.	Parts No.	Parts Name
1	6-005-1805	Drag knob	24	6-141-2801	Bail spring
2	6-170-4001	Drag washer retainer	25	6-361-6413	Arm lever screw
3	6-372-0801	Drag D washer	26	6-250-2821	Line roller
4	6-370-6901	Disc washer	27	6-230-8401	Arm lever
5	6-375-5302	Drag A washer	28	6-340-8501	Bail nut
*6	6-511-3961	Spool	29	6-370-7516	Rotor washer A
7	6-040-0131	Spool click claw	30	6-371-6400	Rotor washer B
8	6-360-1441	Spool click claw screw	31	6-700-5407	Body
9	6-140-2221	Spool click claw spring	32	6-371-6426	Pinion washer
10	6-320-9721	Spool click claw spring retainer	33	6-403-2401	Pinion gear
11	6-371-2731	Spool washer	34	6-414-1601	Drive gear
12	6-710-8501	Main shaft	35	6-370-7500	Drive gear washer
13	6-481-0701	Oscillating slider	36	6-062-7402	Body cover
14	6-121-7001	Oscillating slider pin	37	6-111-3501	Anti-reverse claw
15	6-340-8301	Rotor nut	38	6-144-0001	Anti-reverse claw spring
16	6-372-4901	Rotor retaining washer	39	6-351-6102	Anti-reverse claw screw
17	6-201-7315	Rotor	40	6-461-2201	Anti-reverse cam
18	6-140-6231	Bail kick lever spring	41	6-150-1751	Anti-reverse lever washer
19	6-570-6821	Bail kick lever	42	6-540-3711	Anti-reverse lever
20	6-363-1501	Bail kick lever screw	43	6-350-1931	Anti-reverse lever screw
21	6-210-4301	Balancer	44	6-351-8501	Body cover screw
22	6-725-0221	Bail	45	6-746-4001	Handle
23	6-351-6401	Bail holder screw			

\*Not sold separately. See Spool Assembly.